

JET ISO hip 45° GLASS/GRILLODUR®

VELUX®
Commercial


Architectural glass with a rectangular shape – fixed sizes and fast assembly
Glare-free alternative with GRILLODUR®

JET ISO hip 45° GLASS/GRILLODUR®

- available as fixed or ventilated design daylight system
- ventilation motors with 300 or 500 mm lifting height
- aluminium surfaces coated in white RAL 9016 or your choice of RAL colour on request

Glazing variants

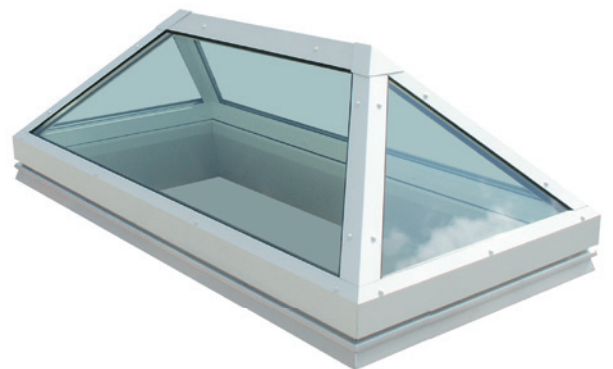
- insulated glazing with sun or heat protection
- insulation glazing can be provided with a warm edge or GRILLODUR® panel on standard

Thermal transfer coefficient

- double insulation glazing: U_g -value 1.1 W/m²K
- triple insulation glazing: U_g -value 0.6 W/m²K
- glass quality: outside ESG or float/inside VSG

Product benefits

- Top-quality product with excellent thermal and sound insulation, thanks to:
- thermally separated aluminium profiles
 - sound-absorbing heat protection glazing
 - thermally insulated upstand with U_{up} up to 0.63 W/m²K
 - pyramid achieves highest air tightness rating (class 4 according to DIN EN 12207)
 - excellent light transmission by accented slim ridge profiles and continuous glass panels
 - fast fitting by the roofer is possible, because the hip rooflights are delivered prefabricated on JET upstands and packed on a transportable pallet



JET ISO hip 45° GLASS

Note:

Indicated values are related to the glazing. Products have been tested to the relevant standards but variations in size and other options may affect performance.

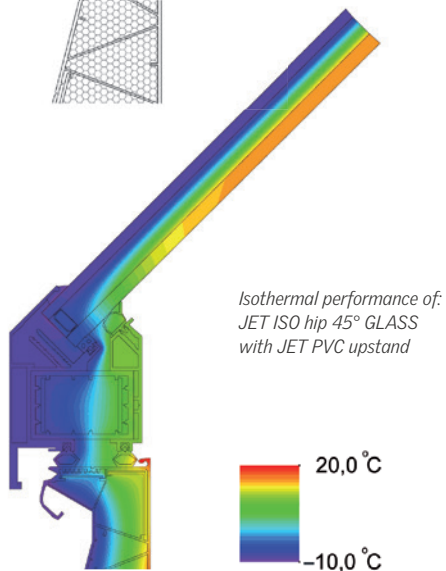
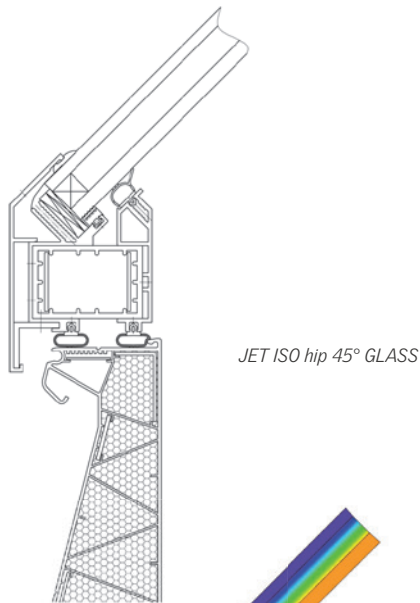
	Double-insulation glazing	Triple-insulation glazing	GRILLODUR® panel
sound insulation R_{wp} according to DIN 52210	36 dB	39 dB	24 dB
JET WSG light transmission T_L :	approximate 78%	approximate 68%	approximate 38%*
JET WSG energy transmission g-value:	approximate 57%	approximate 48%	approximate 51%*
JET SSG light transmission T_L :	approximate 66%	approximate 58%	approximate 21%**
JET SSG energy transmission g-value:	approximate 36%	approximate 33%	approximate 42%**

Photometric values calculated for panel composition (from outside to inside):
 *blue transparent / natural transparent / insulation insert / natural transparent
 **grey transparent / natural transparent / insulation insert / white transparent

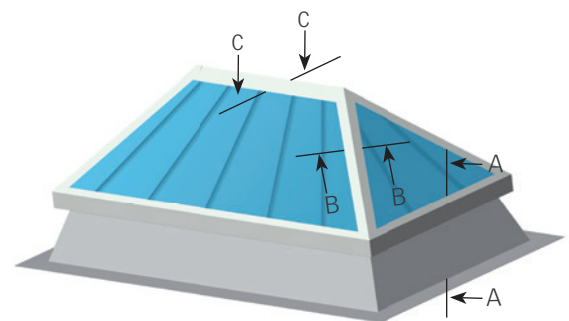
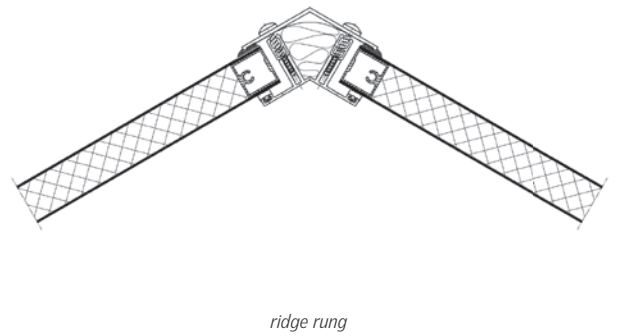


JET ISO hip 45° GLASS
 JET ISO hip 45° GLASS openable, with electric motor 300 mm lifting height

Sectional view A - A



Sectional view B - B



Alternatives and optional extras

JET ISO hip 45° GLASS/GRILLODUR® can be customised with the following options:

- ESG outer panel for higher break resistance
- sun protection glass JET SSG reduces overheating during the summer
- GRILLODUR® glazing works as sun protection and offers homogeneous and glare-free illumination
- ventilation motors with 300 or 500 mm lifting height – optional also ventilators in the JET GRP upstands – ensure a comfortable indoor climate
- interior and exterior aluminium profile surfaces can be finished in RAL colours of your choice

The JET ISO hip 45° GLASS/GRILLODUR® can be delivered with the following JET upstand types:

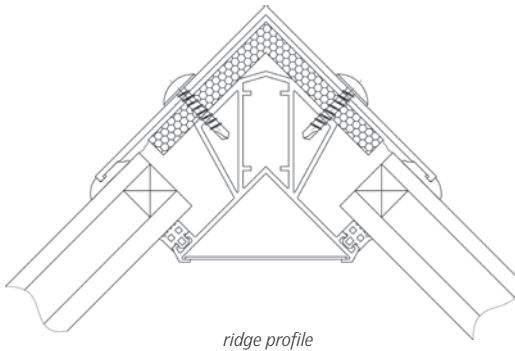
- JET ISO-THERM AK upstand 30, 40, 50, 60 cm high
- JET GRP upstand 15, 30, 50 cm high
- JET PVC AK upstand 15, 30 cm high
- JET steel aluminium integrated upstand 30, 40, 50 cm high



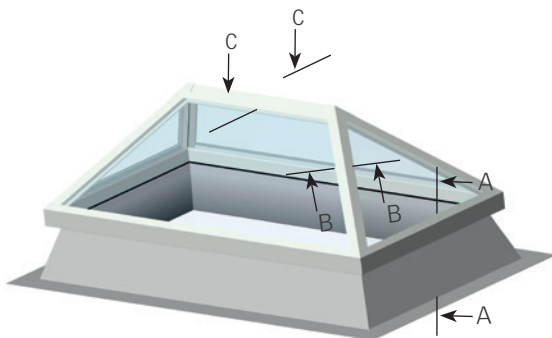
JET ISO hip 45° GLASS

JET ISO hip 45° GLASS openable, with tandem electric motor 300 mm lifting height

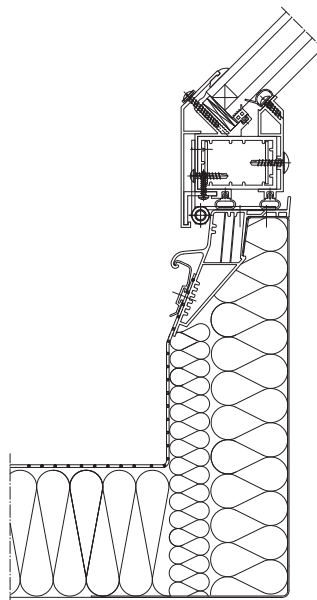
Sectional view C – C



ridge profile



JET ISO hip 45° GLASS



JET ISO-THERM
AK upstand – highly
insulated and free of
thermal bridges

Note:

Selection of the upstand types depends on the assembly information.
For technical data and assembling advantages see brochure 1.2.1: JET dome rooflight upstands and JET roof connection systems.

Product range JET ISO HIP 45° GLASS/GRILLODUR®

Order size = upstand bottom clear width	Upstand upper clear width	Ventilation drive*) (chain thrust motor)								
		Double insulation glazing			Triple insulation glazing			50 mm panel GRILLODUR®		
Clear dimension bottom edge upstand	Clear dimension upper edge upstand	weight in kg (approximate)	230V	24V	weight in kg (approximate)	230V	24V	weight in kg (approximate)	230V	24V
100 x 150	80 x 130	94	◦*	◦	141	◦*	◦	22	◦	◦
100 x 200	80 x 180	123	•*	•	185	•*	•	28	•	•
120 x 150	100 x 130	111	◦*	◦	167	◦*	◦	25	◦	◦
120 x 240	100 x 220	190	•*	•	285	•*	•	28	•	•
150 x 180	130 x 160	162	•*	•	293	•*	•	36	•	•
150 x 250	130 x 230	243	•*	•	365	-	-	52	•	•
180 x 250	160 x 230	290	•*	•	435	-	-	61	•	•

◦ = solo drive

◦* = solo drive with external power supply unit

• = tandem drive

•* = tandem drive with external power supply unit

- = only fixed version available

Note:

Alternative drive variants (e.g. spindle or rack drives) available upon request

Order size = upstand bottom clear width	Upstands								
	JET GRP AK upstand			JET PVC AK upstand		JET metal AK upstand type ISO-THERM AK upstand/ ISO-THERM AK upstand AS			
Clear dimension bottom edge upstand	15 cm	30 cm	50 cm	15 cm	30 cm	30 cm	40 cm	50 cm	
100 x 150	•	•	•	•	•	•	•	•	
100 x 200	•	•	•	•	•	•	•	•	
120 x 150	•	•	•	•	•	•	•	•	
120 x 240	•	•	•	•	•	•	•	•	
150 x 180	•	•	•	•	•	•	•	•	
150 x 250	•	•	•	•	•	•	•	•	
180 x 250	•	•	•	•	•	•	•	•	